

## Get a Custom Fit with the U-Fit System

Congratulations! Your helmet was designed with the U-Fit System, offering 12 custom comfort settings. Follow the instructions below to adjust the ride and balance of your helmet.

1. Try on your helmet and check the initial balance, fit and comfort by rotating your head.
2. Remove the Ear Neck Protector to better see how to adjust the back of the helmet.
3. Pop the gray colored "U Channel" (Figure 1) away from the black inner liner. There is one "U Channel" in the front of the helmet and one in the back of the helmet.
4. You can tailor the fit by adjusting the tabs, which control ride height, and posts, which control forward / backward / level balance.
5. Adjust the ride of your helmet. There are three tab positions on the "U Channel": A, B, and C. Each of the tab positions affects the location of the ratchet by approximately one inch. For the lowest "ride" on your head, position the tabs to "A".  
For a higher "ride", position the tabs to "B" or "C".
6. Adjust the balance of your helmet. There are two post positions, 1 and 2 on the gray "U Channel". Change the post position to adjust helmet balance.
7. Next, try the helmet back on your head to see if the adjustments to the back of the helmet were helpful. You may want to make another round of adjustments as described above to maximize the balance and fit.  
Typically firefighters don't need to adjust the front of the helmet. If however, the adjustments to the rear of the helmet don't meet your needs, you can work on the front of the helmet by first removing the browpad. As with the back of the helmet, you can adjust the height and post position on the U Channel piece. Keep in mind that the front of the helmet is a key interface to the SCBA, and most people prefer position C.
8. Lastly, when finished your adjustments, re-install the Ear Neck Protector and Browpad, using your fingers to smooth the surfaces to avoid bunching.



### To size the Sure-Lock® ratchet headband:

1. Turn the ratchet knob counterclockwise until headband is at largest size (Figure 3).
2. Place the helmet on your head and turn ratchet knob clockwise until headband is snug and comfortable.

### To raise or lower faceshield:

1. Release tension knobs found on both sides of the helmet.
2. Tighten knobs once faceshield is in desired position.

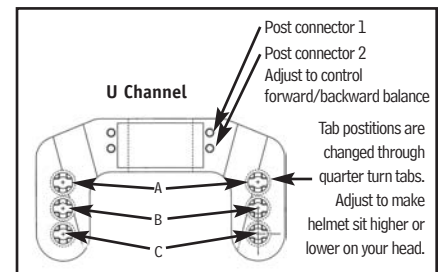


Figure 1

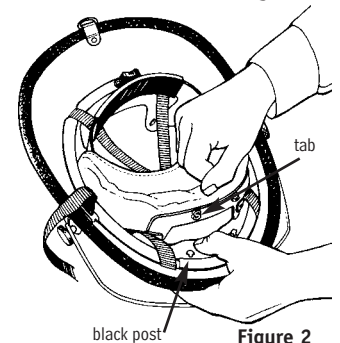


Figure 2

## NOTES



- Performance properties of NFPA 1971, 2007 cannot be tested by users in the field.
- NFPA 1500, *Standard on Fire Department Occupational Safety and Health Program* requires members who engage in or are exposed to the hazards of structural firefighting shall be provided with and shall use, a protective ensemble that shall meet the applicable requirements of NFPA 1971, *Standard on Protective Ensembles for Structural Fire Fighting and Proximity Fire Fighting*.
- The protective ensemble must be used by members only under direct supervision of their fire department or employer in a manner consistent with OSHA 29 CFR 1910.132 *General Requirements of Subpart I, Personal Protective Equipment*.
- For information on NFPA 1951 *Standard on Selection, Care and Maintenance*, and basic cleaning and inspection guidelines, visit [www.bullard.com/trainonline](http://www.bullard.com/trainonline).

### WARNING

Read all instructions and warnings before wearing this helmet.

Only the end user may separate this manual from the element. Manual must be removed prior to putting the helmet into service

After removal from the wearer, the helmet should be inspected for damage and soiling after each use. The helmet should be adjusted by means of the adjustment points provided to permit a proper fit that does not interfere with the SCBA while in use. These adjustments should be done prior to actual structural fire fighting activities. Helmets damaged or deteriorated beyond economical repair should be removed from service.

Failure to follow these instructions could cause death or serious injury.

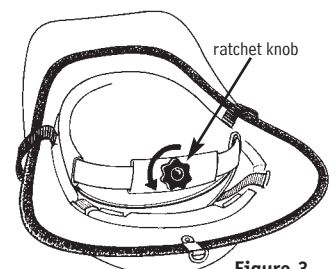
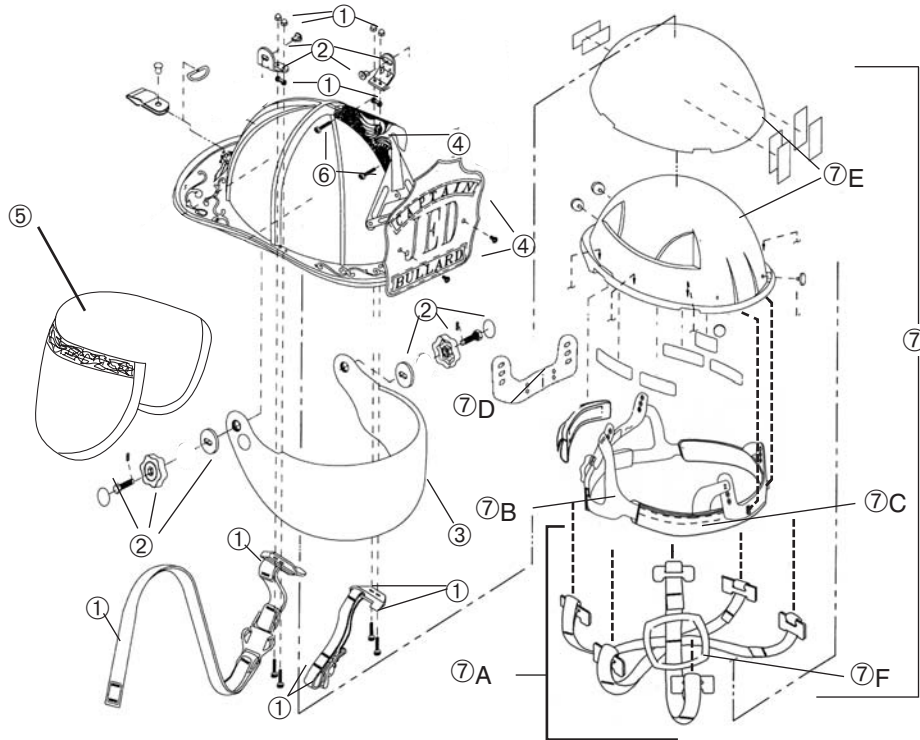


Figure 3

## Replacement Parts for UST Series Helmet



CATALOG NUMBER	DESCRIPTION	CATALOG NUMBER	DESCRIPTION
① R148	Nomex® chin strap with quick-release buckle and Postman's slide fastener	⑦A R112	Nylon crown straps with crown pad
② R152	Faceshield mounting hardware kit	⑦A R113	Nomex crown straps with crown pad
③ R340	6" gold-coated faceshield	⑦B R637	Sure-Lock® ratchet headband
④ OR500	Brass front	⑦C R635	Brow pad
⑤ R721	Rip-Stop Nomex ear/neck protector for UST helmet	⑦D R628	Ratchet height adjuster
⑤ R741	Rip-Stop PBI®/Kevlar® ear/neck protector for UST helmet (not shown)	⑦E	Impact liner/inner shell - Not available individually
⑤ R726	Nomex ear/neck protector with throat strap (not shown)	⑦F R636	Crown pad
⑥ R921	Replacement inner crown system Includes: inner shell, Sure-Lock® ratchet, crown pad, headband, brow pad, urethane impact liner, 6-point nylon crown strap assembly, and velcro strips		
⑦R941	Replacement inner crown system Includes: inner shell, Sure-Lock ratchet, crown pad, headband, brow pad, urethane impact liner, 6-point Nomex crown strap assembly, and velcro strips		

### Helmet Model

UST/USTM Thermoglass® helmet

### Colors

Model UST Firedome helmets are available in seven standard colors: white, red, black, yellow, blue, orange and lime-yellow.

Model USTM Firedome helmets are available in red, black, and yellow.

## Pre-Use Information

### Marking Recommendation and Restrictions:

Use only accessory equipment of the type included in the original helmet or approved by Bullard. Using unauthorized accessories may dramatically change the performance of the helmet.

All helmet markings (e.g. front identification shields, title tapes, decals, retro-reflective trim, etc.) must either be supplied by a Bullard authorized fire service distributor or authorized for use in writing by Bullard.

All helmet accessories (e.g. flashlight brackets, communications head sets, etc.) must be either supplied by a Bullard authorized fire service distributor or authorized for use in writing by Bullard.

## Cleaning

Remove ear/neck protector, headband, and crown straps. Clean inner and outer shells with mild soap or detergent. Wash the ear/neck protector, headband, brow pad, crown pad, and crown straps in warm, soapy water and air dry at room temperature. Clean faceshields with mild detergent, rinse thoroughly with clean water, and dry with a soft cloth.

Users should not wear helmets that are not thoroughly cleaned and dried.

### **WARNING**

Users should not wear helmets that are not thoroughly cleaned and dried. Failure to follow this instruction could result in death or serious injury.

## Two-Year Limited Warranty

Bullard warrants to the original purchaser that the firefighter helmet is free of defects in materials and workmanship under normal use and service for a period of two (2) years from the date of manufacture. The Bullard obligation under this warranty is limited to repairing or replacing articles that are returned within the warranty period, shown to be defective after inspection by Bullard, and subject to the following limitations:

- Helmet must be returned to Bullard with shipping charges prepaid
- Helmet must not be altered from its original factory configuration
- Helmet must not have been misused, subjected to negligence or damaged in transport

In no event shall Bullard be responsible for damages, loss of use, or other indirect, incidental, consequential or special costs, expenses or damages incurred by the purchaser, notwithstanding that Bullard has been advised of the possibility of such damages.

ANY IMPLIED WARRANTIES, INCLUDING

WARRANTIES OF MERCHANTABILITY AND FITNESS FOR A PARTICULAR PURPOSE, ARE LIMITED IN DURATION TO TWO (2) YEARS FROM THE DATE OF MANUFACTURE OF THIS PRODUCT.

Some states do not allow the exclusion or limitation of incidental or consequential damages, or allow limitations on how long an implied warranty lasts, so the above limitations or exclusion may not apply to you. This warranty gives you specific legal rights, and you may have other rights which vary from state to state.

RETURN AUTHORIZATIONS: Contact Customer Service to obtain written permission to return any product. Material returned for credit will be subject to factory inspection. Current products or products under warranty will be subject to a rehandling charge less original freight charge. Obsolete or special order products cannot be returned without written permission.

## Contamination and Decontamination

Special precautions must be taken if your protective helmet becomes contaminated with chemical or biological hazardous materials. The guidance for these precautions should be coordinated with the appropriate (local, state, and federal) authorities having jurisdiction for hazardous materials (HAZMAT).

Contaminated helmet ensembles should be isolated, contaminate(s) identified, and bodily contact should be avoided. Avoid spreading the contamination to interior spaces of buildings or vehicles, any living quarters, or personal belongings. If possible, seal the contaminated ensemble in a leak proof, sealable, air tight container. Disposal should be done in adherence to local, state, and federal laws. If the helmet is to be reused, it **MUST** be decontaminated before reuse. Decontamination should be performed using procedures established by decontamination professionals that will remove contaminate(s) while minimizing damage or compromise to the helmet. Failure to do so could result in increased risk of injury, illness, disease, or death.



**⚠ WARNING**

READ ALL INSTRUCTIONS AND WARNINGS BEFORE USING THIS FIREFIGHTER HELMET.

Firedome helmets are constructed with high quality materials and workmanship. They are engineered to provide limited protection against head injuries, when properly adjusted for fit and when worn by firefighters during normal fire fighting activities. They are not designed for direct contact with flames or molten metal, or for protection against hazardous chemicals, biological, or radiological agents. Contact of these fire helmets with live wires should be avoided. NEVER ALTER OR MODIFY the helmet's design or construction without explicit written instructions from Bullard. Inspect your helmet and suspension system regularly, regardless of how often it is used. If you notice any sign of wear, damage, abuse, or environmental degradation, replace the shell and/or suspension immediately. If the helmet has sustained a forcible blow (impact), it must be replaced, even if there is no visible damage.

THIS HELMET MUST BE PROPERLY ADJUSTED AND SECURED TO THE HEAD WITH ALL COMPONENTS IN PLACE, USED AS SPECIFIED IN MANUFACTURER'S INSTRUCTIONS.

Do not modify or replace any component of this helmet, including the shell, energy-absorbing system, retention system, fluorescent retroreflective markings, ear covers, or faceshield with components or accessories other than those certified for use with this product. Modification or replacement with other than Bullard parts voids compliance with NFPA 1971, 2007.

NO PROTECTIVE HEADGEAR CAN PROTECT AGAINST ALL FORESEEABLE IMPACTS. For maximum protection under these standards, the helmet must be of good fit and all retention straps must be securely fastened. Use only with a Bullard suspension system. This helmet should be inspected by the user for visible damage prior to each use. Immediately replace shell or suspension at first sign of wear, damage, or degradation.

HELMETS CAN BE SERIOUSLY DAMAGED BY SOME COMMON SUBSTANCES, THOUGH SHOW NO DAMAGE TO THE NAKED EYE. CLEAN ONLY WITH MILD DETERGENT AND WATER. DO NOT USE OR EXPOSE HELMET TO PAINTS, SOLVENTS, CHEMICALS, ADHESIVES, GASOLINE, OR LIKE SUBSTANCES. STORE IN A DRY, COOL PLACE, AWAY FROM DIRECT SUNLIGHT.

Failure to follow these instructions and avoid potentially hazardous situations could result in death or serious injury.

Firedome helmet model UST meets or exceeds all performance specifications under NFPA 1971, 2007.



**Americas:**  
**E.D. Bullard Company**  
1898 Safety Way • Cynthia, KY 41031-9303  
Toll free: 877-BULLARD (285-5273)  
Tel: 859-234-6616 • Fax: 859-234-8987  
[www.bullard.com](http://www.bullard.com)

**Europe:**  
**Bullard GmbH**  
Lilienthalstrasse 12  
53424 Remagen • Germany  
Tel: +49-2642 999980 • Fax: +49-2642 9999829  
[www.bullardextrem.com](http://www.bullardextrem.com)

**Asia-Pacific:**  
**Bullard Asia Pacific Pte. Ltd.**  
LHK Building  
701, Sims Drive, #04-03 • Singapore 387383  
Tel: +65-6745-0556 • Fax: +65-6745-5  
[www.bullard.com](http://www.bullard.com)



CERT. MOD.

©2008 Bullard. All rights reserved.

Bullard, Sure-Lock, and Hard Boiled are registered trademarks of Bullard. Nomex and Kevlar are registered trademarks of E.I. du Pont de Nemours & Company.

PBI is a registered trademark of Celanese Corporation.  
U.S. Patent No. 5,150,479.

6024705586G (1108)